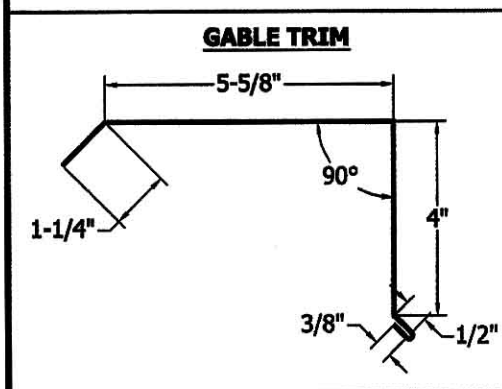


THIS PAGE CONTAINS GENERAL APPLICATION DETAILS-

ACTUAL INSTALLATION MAY REQUIRE ADDITIONAL ITEMS BASED ON GOOD ROOFING PRACTICES.

FOR FLORIDA BUILDING CODE & HVHZ INSTALLATION REQUIREMENTS SEE ENGINEER SEALED DETAIL PAGES.



PERMATILE ROOFING
A Division of Advanced Aluminum

DESCRIPTION: STANDARD GABLE TRIM DETAIL

STYLE: FOR USE ON PLYWOOD DECKING

FILE: PTGABLE-01